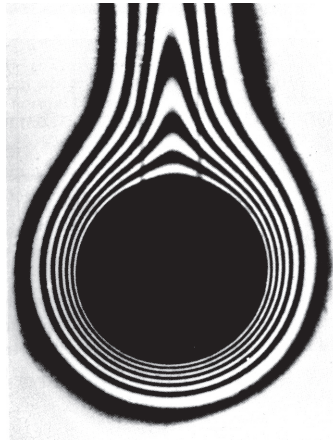
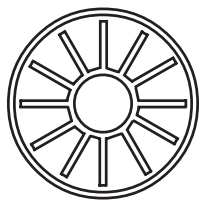


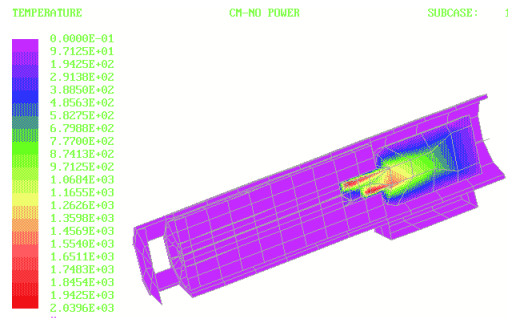
# Ebony's Beam Stability of an Argon Ion Laser



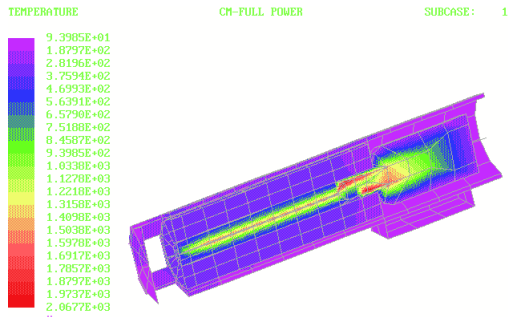
External



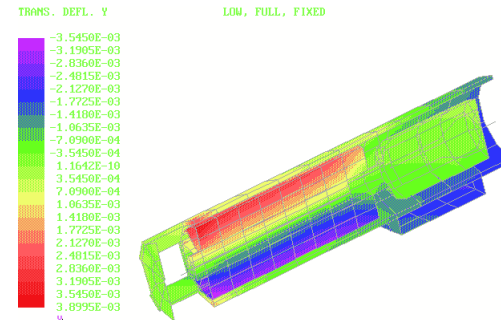
Internal



Low Power Temperatures



Full Power Temperatures



Full Power Displacements



## Heat Exchanger Optimization at 0.5 in. H<sub>2</sub>O

