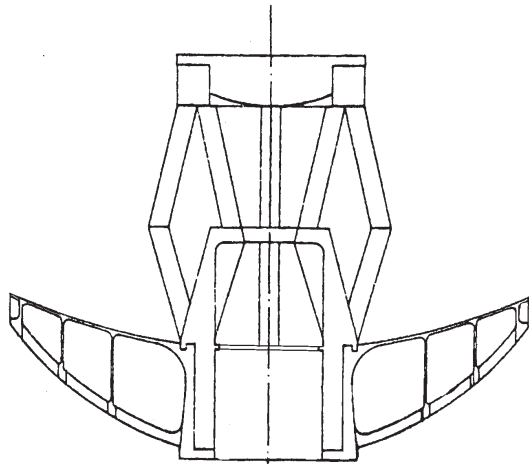


Ebony's Optically Guided Ordnance



Telescope design

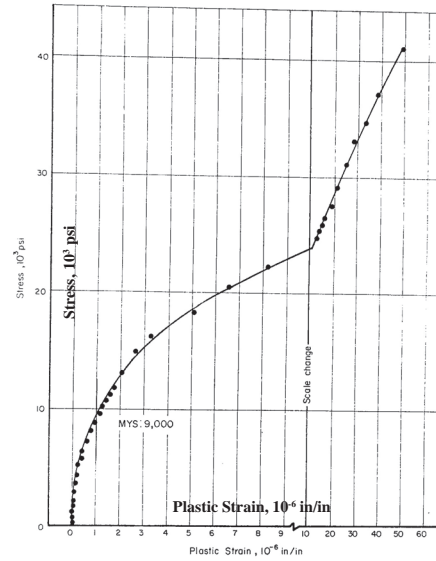
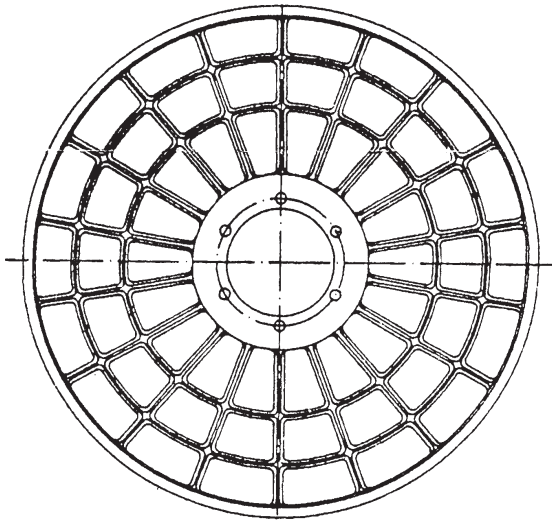
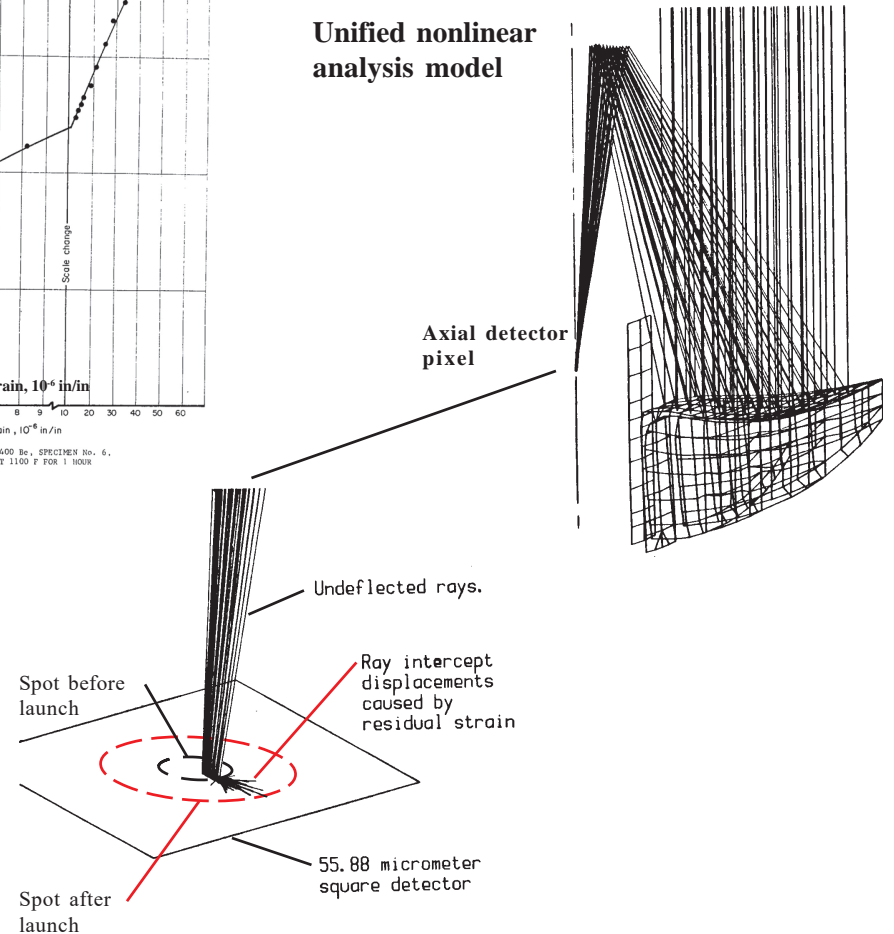


FIGURE A-41. MYS TEST ON 1-400 Be, SPECIMEN No. 6, HEAT TREATED AT 1100 F FOR 1 HOUR

100,000 g launch load

Unified nonlinear analysis model

Axial detector pixel



Axial detector pixel greatly magnified

AEH.

Optomechanical Engineering

The Proposal, Won!

