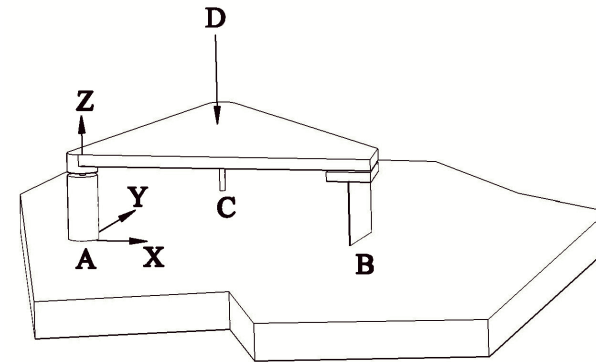
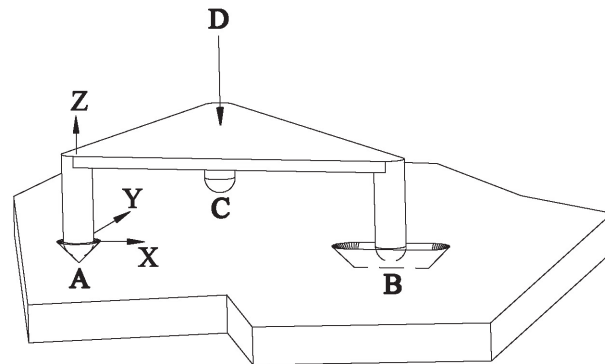
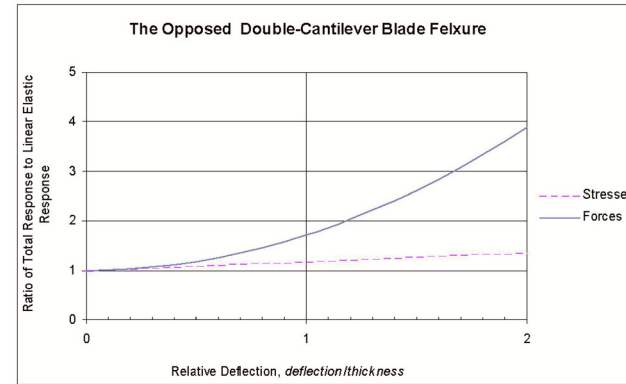
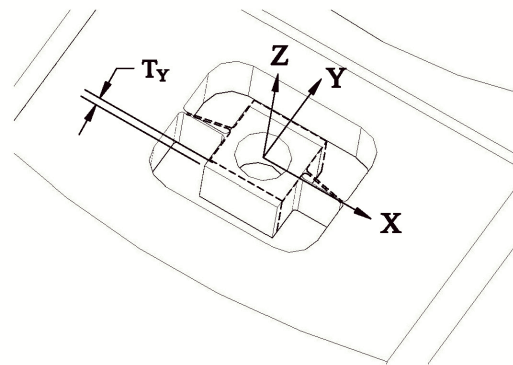


# Optical Flexures

Strain relieving optical benches.



Elastic simulations of kinematic mountings.

**AEH.**

Optomechanics