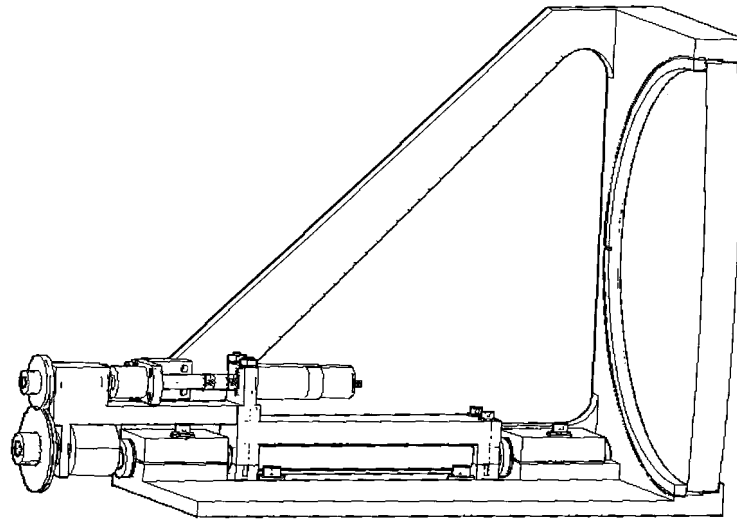


A Ring-mounted Glass Lens



Materials = BK7 and aluminum

Diameter of ring contact = 10 cm

Mass of lens = 197 g

AEH.

Optomechanics

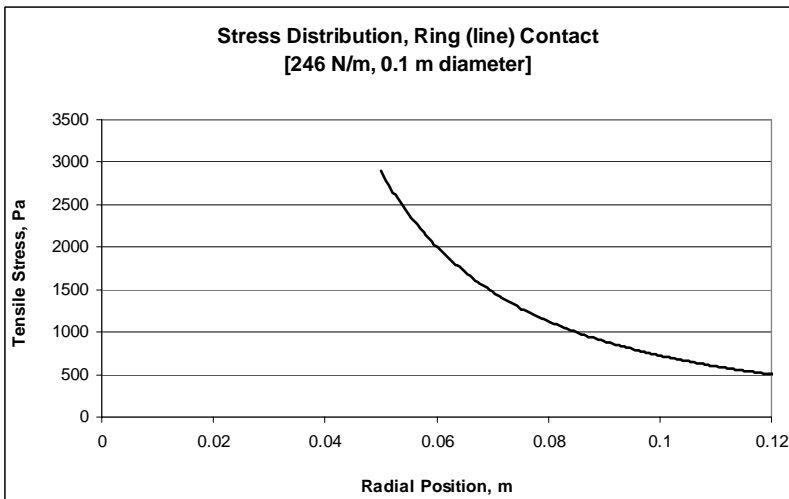
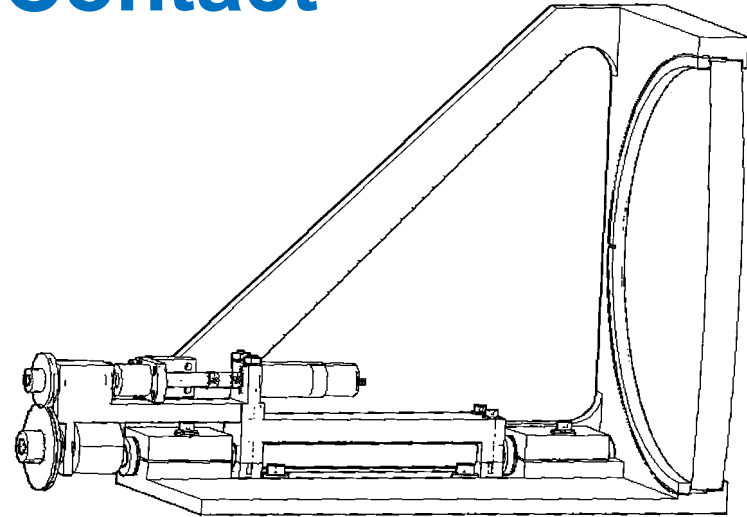
Surface Stresses in the Mounted Lens for Thin Ring (Line) Contact

Acceleration loading = 20 gs

Safety Factor = 2.0

Retaining load = 77.3 N

Ring load = $p = 246 \text{ N/m}$



Maximum tensile stress =
2,890 Pa
(0.422 psi)